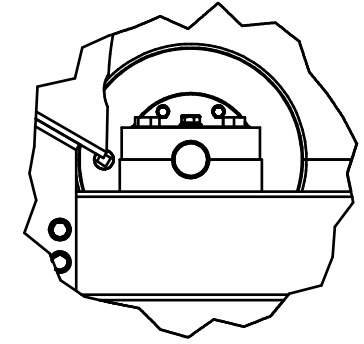
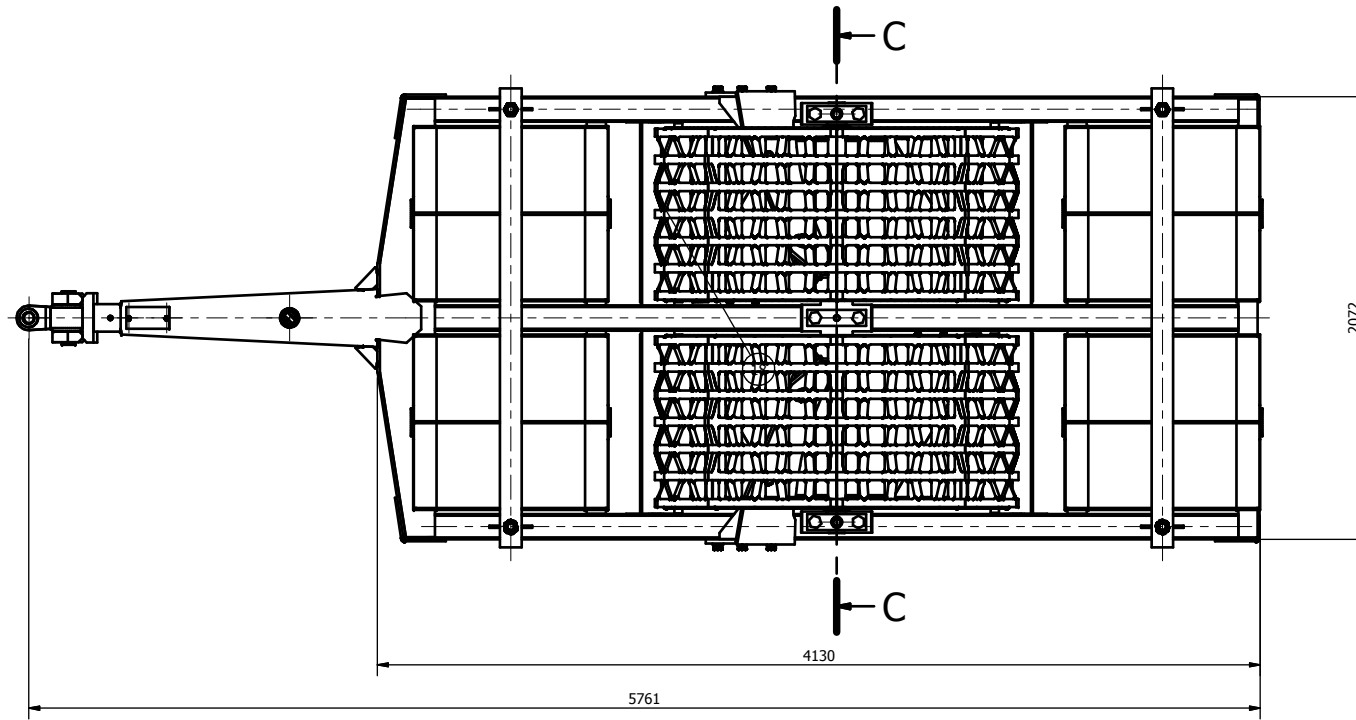


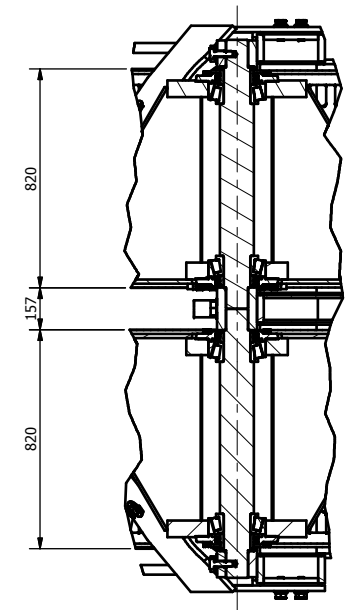
FRONT VIEW



DETAIL E



TOP VIEW



DETAIL D

REV	DESCRIPTION	DATE	BY
F	ADDED INSERT (164 104)	08/12/2016	NANDINI
E	ROTATED BLOCKS WITH S/FACE INSIDE	22/04/2016	NANDINI
D	RFEA 0017/2013	20/06/2013	NANDINI
C	ADDED BALLOONS	14/06/2013	NANDINI
B	UPDATES DRAWING	16/01/2013	NANDINI
A	DRAWN	3/3/11	FRED

This print is the property of GRANT GORE & SONS (PTY) LTD. and is a confidential document. It must not be duplicated or exhibited to any third party without permission in writing. This sheet and all copies must be returned on demand.

DRAWN BY	fred	GRANT GORE & SONS (PTY) LTD.
DATE	2011/03/04	
CHECKED BY		
DATE		
LOCATION		

TITLE: GRID ROLLER + EXTRAS
 DESCRIPTION: GRID ROLLER + EXTRAS
 DRG. No.: M03770